



# ROUND KINFE CLOTH CUTTING MACHINE PARTS

**High Efficiency Cloth cutting machine**



SM-100

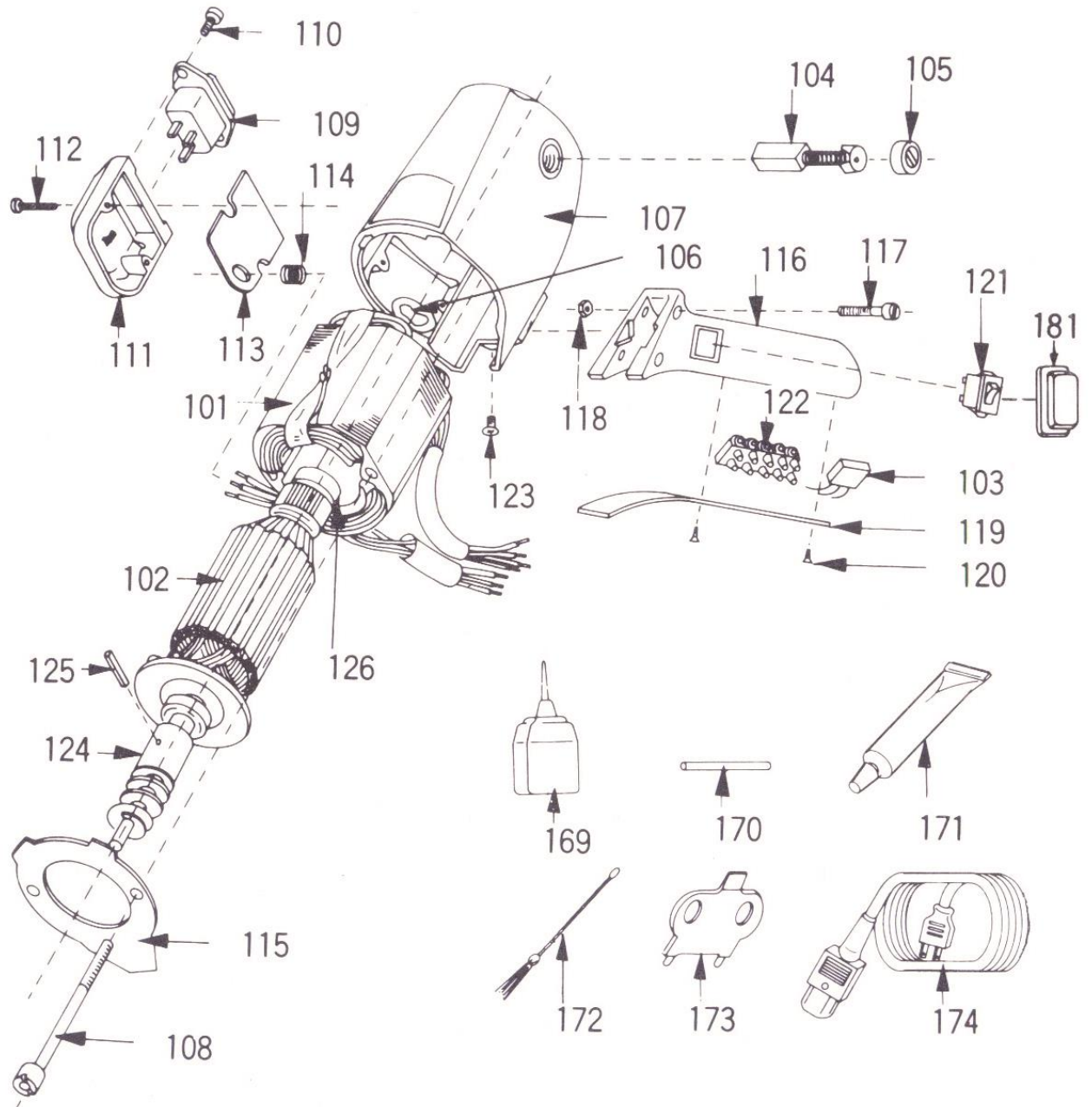


SM-110

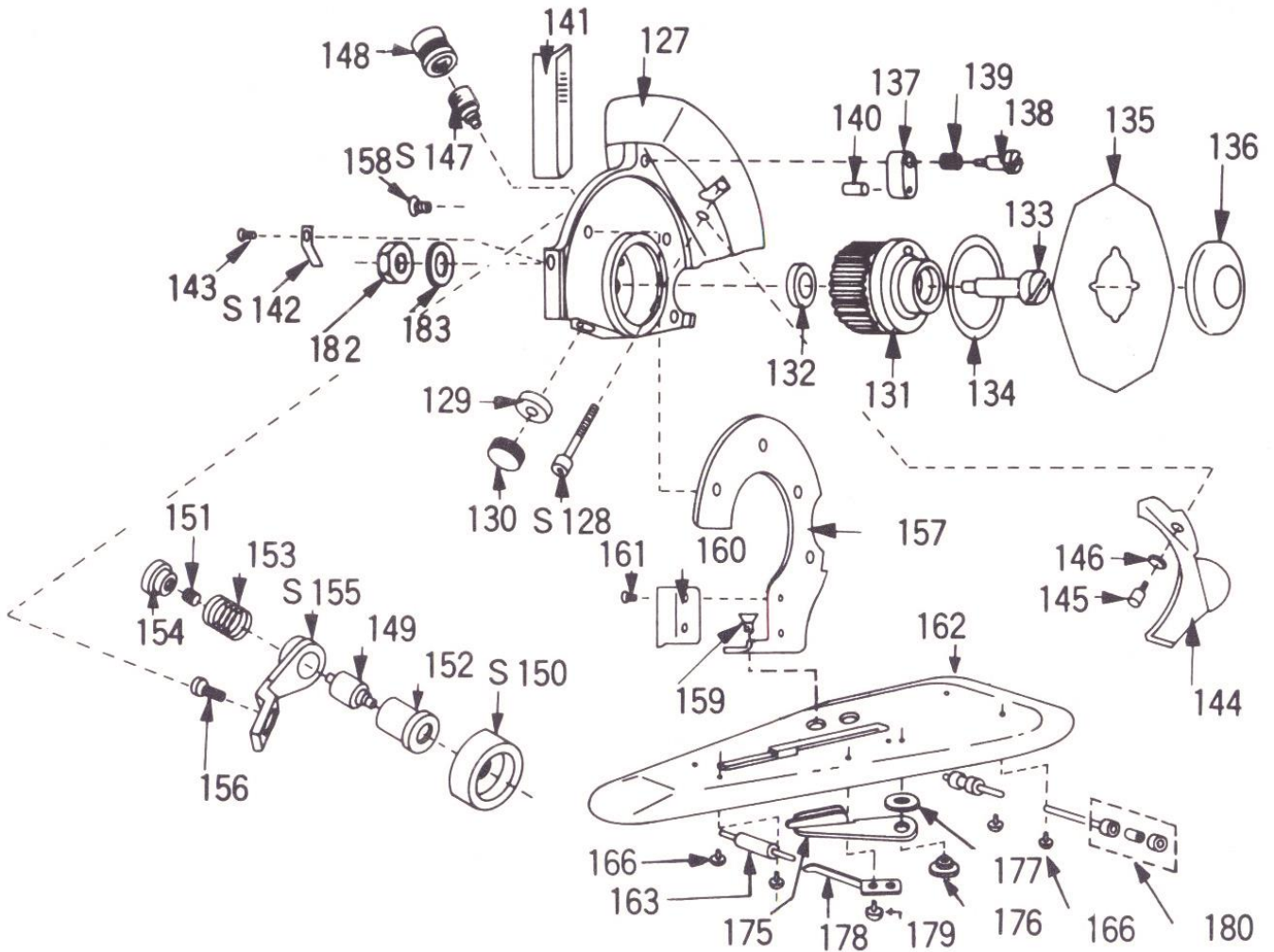
**CUTTING THE WHEELS OF SUCCESS**



# MOTOR ASSEMBLY & ACCESSORIES



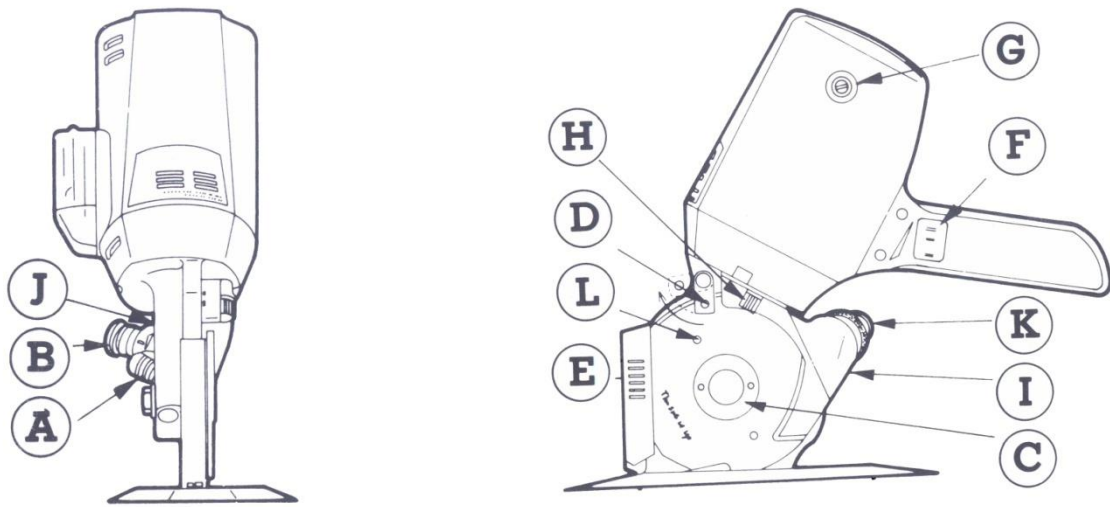
# STANDARD & BASE ASSEMBLY



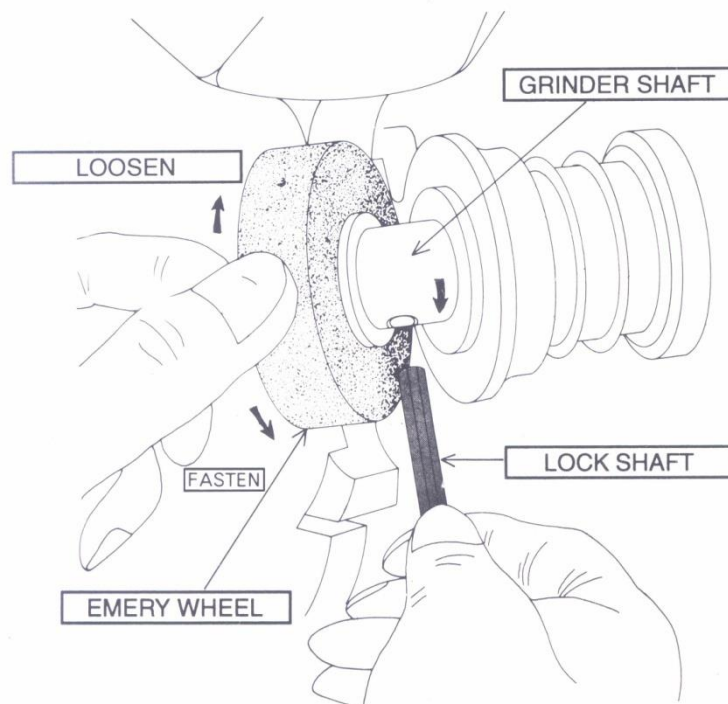
# CLOTH CUTTING MACHINE PARTS LIST

PART NO.	PART NAME	QTY.	PART NO.	PART NAME	QTY.
101	Stator rewinding	01	141	Knife Guard	01
102	Rotor rewinding	01	144	Safety Plate	01
104	Carbon Brush	02	145	Screw for Plate	01
105	Cap for Carbon Brush	02	146	Spring Washer for Plate	01
107	Motor Cover	01	147	Grease Cup	01
			148	Cap for Grease Cup	
108	Screw for Stator	02	149	Grinder Shaft	01
109	Terminal	01	150	Emery Wheel	01
110	Screw for Terminal	02	151	Grinder Spring	01
111	Terminal Box	01	152	Grinder Collar	01
112	Screw for Terminal Box	02	153	Spring for Collar	01
115	Air Guide	01	154	Sharpening Switch	01
116	Drive Handle	01	155	Grinder Arm	01
117	Screw for Handle	02	156	Screw for Grinder Arm	01
118	Nut for Handle	02	157	Standard	02
119	Cover for Handle	01	158	Screw for Standard(Upside)	03
120	Screw for Cover	02	159	Screw for Standard(Bottom)	02
121	Switch	01	160	Guide Plate	01
122	Connecting Terminal	01	161	Screw for Guide Plate	02
123	Screw for Earth	01	162	Base Plate	01
124	Drive Gear	01	163	Front Roller	01
125	Roll Pin	01	164	Roller Shaft (Front)	01
126	629 Bearing	02	166	Screw for Roller Shaft	04
127	Gear Box	01	173	Wrench	01
128	Screw for Gear Box	02	174	Code Complete with earth	01
129	Drive Gear Bearing	01	175	Lower Blade	01
130	Cover for Metal	01	176	Screw for Lower Blade	01
131	Knife Gear	01	177	Washer for Lower Blade	01
132	Washer for Gear	01	178	Pressure spring for Lower Blade	01
133	Screw for Gear	01	179	Screw for Pressure Spring	02
134	Ring for Gear	01	180	Rear Roller Set	02
135	Knife(8-sided) Round(Optional)	01	182	Nut for Knife Gear Screw	01
136	Lock Nut for Knife	01	183	Washer for Knife Gear Screw	01

# OPERATION LUBRICATION CARE



# GRINDING WHEEL REPLACEMENT GUIDE



# INSTRUCTION MANUAL

Before cutting connect the attachment code to the machine and the grind the knife edge sharp by pushing the spring loaded grinding switch (B) for several times.

## Checking (Release connecting plugs)

### (A) Greasing

1. Every 50 Hours : Give small quantity grease thru the grease cap and turns the cap (A) in.
2. Every 150 Hours: Release cap (A) and fill the grease.

### (B) Lubrication

1. Every 10-20 Hours: Give oil to knife (D) until oil comes in contact with the surface of knife edge.

### (C) Adjustment of Re-Sharpener

While the grinding wheel wears, loosen stop nut of resharpening-arm (J) and rectify the resharpening position so as to the grinding wheel keeps proper contact with knife the edge.

### (D) Replacement of Grinding Wheel

See grinding wheel replacement guide.

### (E) Replacement of knife

1. Remove the knife guard (E) to upward direction.
2. Pull the spring loaded knife oiler (D) and turn right angle to arrow indication
3. Remove safety plate (I) releasing lock nut (H).
4. Remove the knife lock nut (C) by turning it left. Use the wrench attached.(if the knife also turns together with lock nut. Lock the knife to the standard inseting lock shaft to hole in the knife (L). the corresponding hole for locking knife is also providing in the standard.)
5. Remove knife
6. Be sure the front face of the knife when re-setting the knife.
7. Adjust the position of re-sharpener (K) after each replacement of knife.

## (F) Replaement of carbon Brush

1. Too much weaving of carbon brush will cause motor troubles. Carbon brush must be replase when it wear to 5-6 mm
2. Carbon brush cap (G) is replaced by turnig if left by attatched wrench.
3. Alwase replase right and left carbon brush simantanously
4. Be sure to hold metalic part of the bush, keep finger away from carbon.

## Caution

1. For safty purpose, retain the knife guard (E) at the lowest location while the machine is not applied. Also keep the guard closest possible to the working while cutting.
2. Connect the earth wire for sefty.

**Sonal** Machine Tools

**Admin office / works:**  
**30/30 Adeshwar Estate opp. Shankar Estate,**  
**Revabhai Estate Road, C.T.M. , Amraiwadi**  
**Ahmedabad - 380026**  
**(Gujarat-India)**  
**Tel: 079-25860485, 25860290**  
**Fax: 079-25860485**  
**Mobile: +919898278390**  
**Email: sonalindia@rediffmail.com**  
**Website: sonal-motors.com**

Authorised Dealer :

