



FANS

---

---

---

---

## High Performance Industrial Fans



---

---

---

---

**THE FLOW OF SUCCESS**



## **FANS:**

### **Exhaust Fan:**

### **Pedestal Fan:**

### **Wall Mounted Fan:**

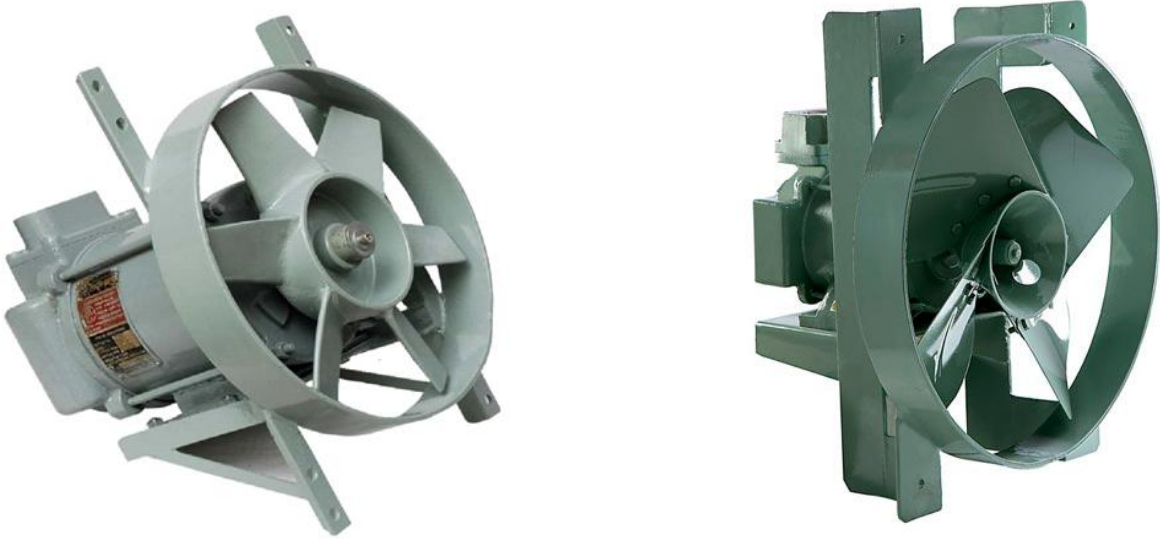
**SONAL MACHINE TOOLS** are a known manufacturer and supplier of **Exhaust Fans**. We have on offer for our customer's premium quality **Three Phase & Single Phase Exhaust Fans**. These exhaust fans are manufactured using premium quality raw material and coated with epoxy polyester powder. The exhaust fans offered by us are low maintenance, cost-effective, reliable and have a long functional life. Our exhaust fans are international quality standards and are known to effectively cool, circulate as well as ventilate air. These qualitative exhaust fans are extensively utilized in numerous storage facilities, factories, gymnasiums, greenhouses and barns.

In order to ensure premium quality exhaust fans, we conduct rigorous quality tests during various stages of production so that the finished products comply with international standards. We have hired industry experts who look after the entire production process and ensure streamlined business operations. Further, the manufacturing facility of our firm is equipped with requisite machinery and equipment that enable us to carry out production process in an efficient manner. By maintaining quality throughout the working career, we are able to generate goodwill in the market

### **Application Area:**

- **Petrochemical Plants**
- **Pharmaceutical Plants**
- **Fertilizers Plants**
- **Ordnance Factories**
- **Chemical Plants**
- **Oil and Gas Plants**
- **Power Stations**
- **Cement Plants**
- **Space Centers**
- **All Process Industries**

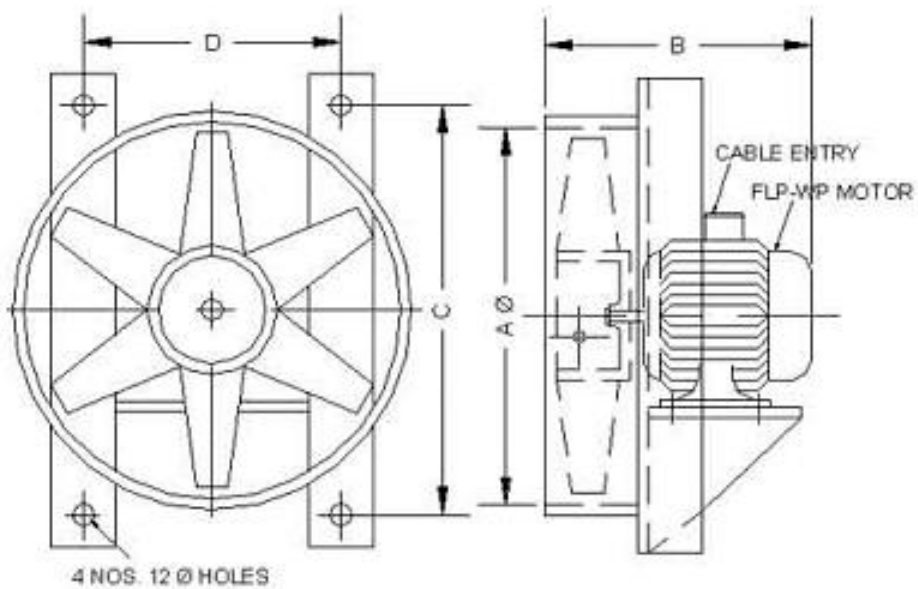
# EXHAUST FAN



## EXHAUST FAN PRODUCT LIST:

Sr. No.	Product Name	H.P.	Watt	Phase	Volt	Hz	R.P.M.
1	12" Exhaust Fan	0.25	200	1	230	50	1500
2	12" Exhaust Fan	0.25	200	3	415	50	1500
3	16" Exhaust Fan	0.33	250	1	230	50	1500
4	16" Exhaust Fan	0.33	250	3	415	50	1500
5	18" Exhaust Fan	0.5	400	1	230	50	1500
6	18" Exhaust Fan	0.5	400	3	415	50	1500
7	24" Exhaust Fan	0.75	550	1	230	50	1000
8	24" Exhaust Fan	0.75	550	3	415	50	1000

## TECHNICAL DIMENSION SPECIFICATION:



Fan size	12"	15"	18"	24"	30"	36"
A	314	388	480	635	787	952
B	330	330	330	360	360	360
C	380	485	500	755	900	1060
D	250	250	250	250	250	250

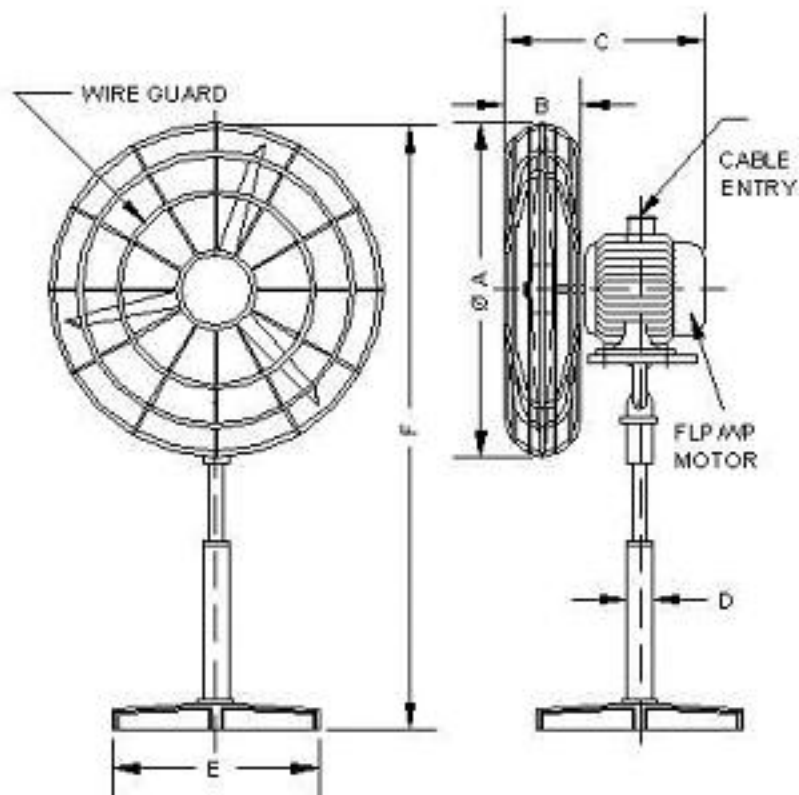
## PEDESTAL FAN (Air circulators / Man coolers)



### EXHAUST FAN PRODUCT LIST:

Sr. No.	Product Name	H.P.	Watt	Phase	Volt	Hz	R.P.M.
15	18" Pedestal Fan	0.5	400	1	230	50	1500
16	18" Pedestal Fan	0.5	400	3	415	50	1500
17	24" Pedestal Fan	0.5	400	1	230	50	1500
18	24" Pedestal Fan	0.5	400	3	415	50	1500
19	30" Pedestal Fan	0.75	550	1	230	50	1500
20	30" Pedestal Fan	0.75	550	3	415	50	1500

### TECHNICAL DIMENSION SPECIFICATION:



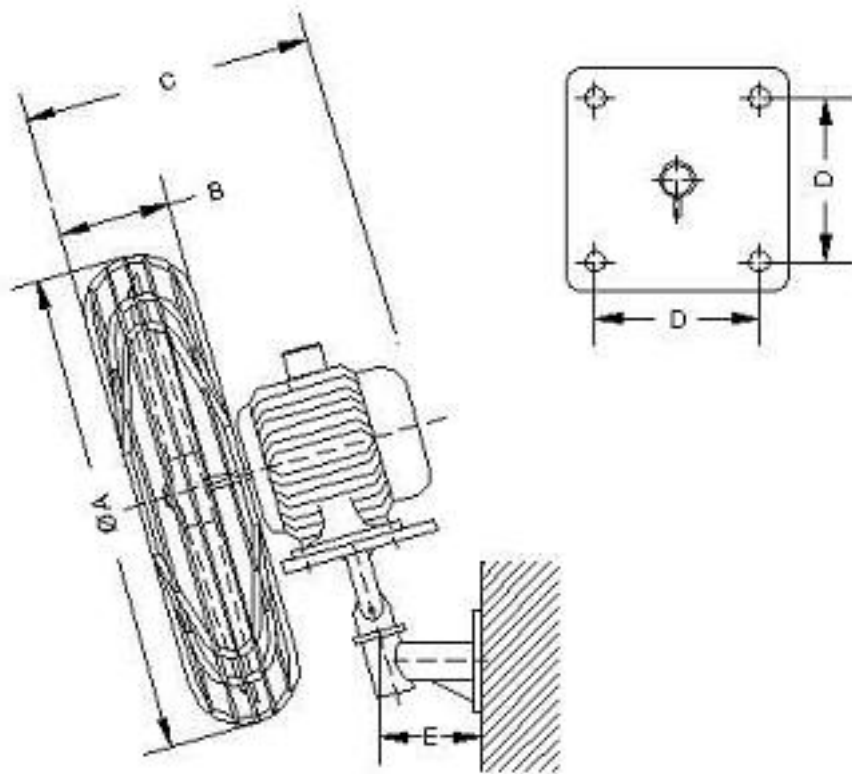
Fan Size	12"	15"	18"	24"	30"	36"
A	376	485	534	690	850	1000
B	127	127	127	127	152	152
C	432	432	432	457	508	508
D	50	50	50	50	50	50
E	584	584	584	584	762	762

## Wall Mounted Fan



Sr. No.	Product Name	H.P.	Watt	Phase	Volt	Hz	R.P.M.
9	18" Wall Mounting Fan	0.5	400	1	230	50	1500
10	18" Wall Mounting Fan	0.5	400	3	415	50	1500
11	24" Wall Mounting Fan	0.5	400	1	230	50	1500
12	24" Wall Mounting Fan	0.5	400	3	415	50	1500
13	30" Wall Mounting Fan	0.75	550	1	230	50	1500
14	30" Wall Mounting Fan	0.75	550	3	415	50	1500

### TECHNICAL DIMENSION SPECIFICATION:



Fan Size	12"	15"	18"	24"	30"	36"
A	376	485	534	690	850	1000
B	127	127	127	127	152	152
C	432	432	432	457	508	508
D	200	200	200	200	200	200
E	405	405	405	405	405	405

**Sonal** Machine Tools

**Admin office / works:**

**30/30 Adeshwar Estate opp. Shankar Estate,  
Revabhai Estate Road, C.T.M. , Amraiwadi**

**Ahmedabad - 380026**

**(Gujarat-India)**

**Tel: 079-25860485, 25860290**

**Fax: 079-25860485**

**Mobile: +919898278390**

**Email: [sonalindia@rediffmail.com](mailto:sonalindia@rediffmail.com)**

**Website: [sonal-motors.com](http://sonal-motors.com)**

Authorised Dealer :

